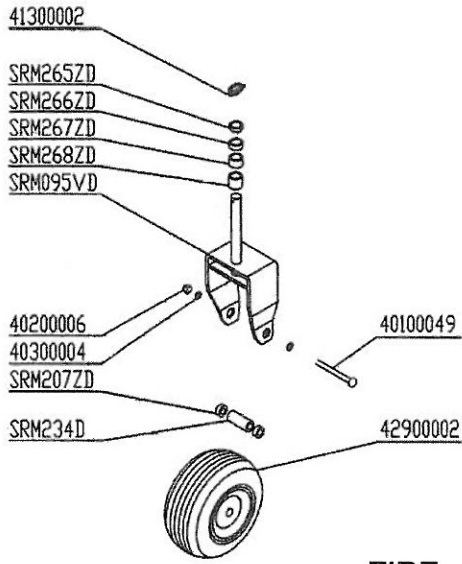


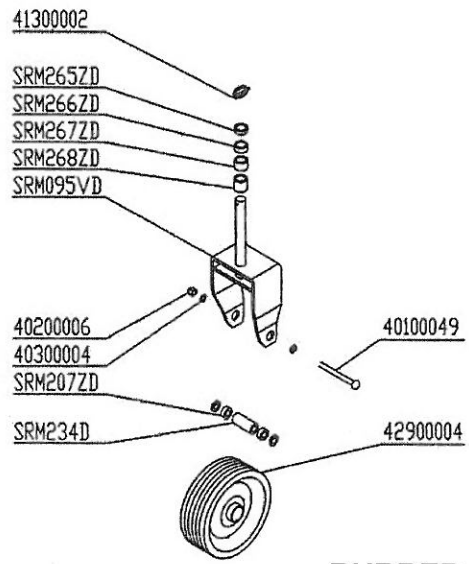
WHEELS AND FRONT ROLL COMPONENTS

Ø330 - SRM115D



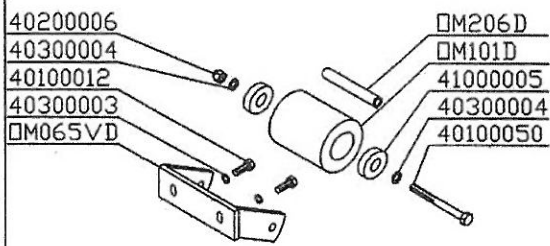
TIRE

Ø310 - SRM116D

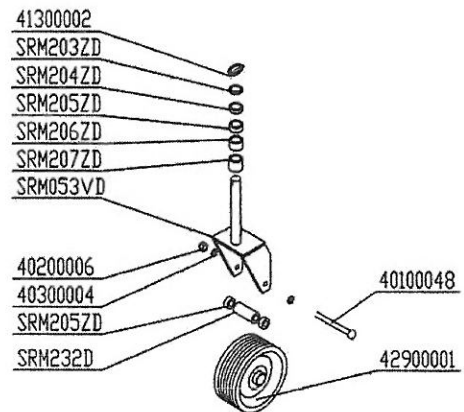


RUBBER

□M100D

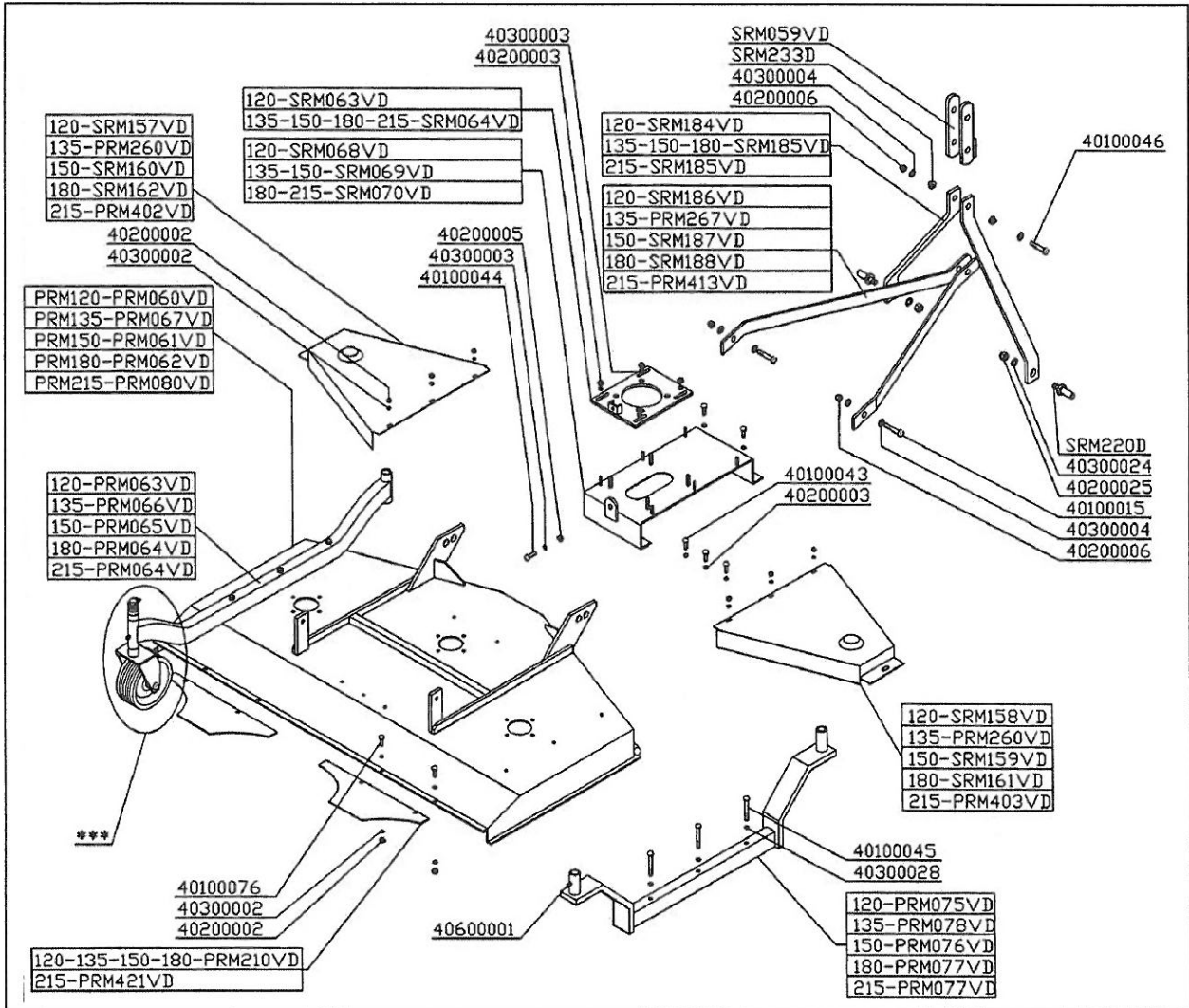


Ø210 - SRM071D



STANDARD

**PRM-FMRD FRAME COMPONENTS**



- \*\*\*- WHEEL BRACKET / WHEEL JOINT

Mower type	Rubber wheel Ø 210		Rubber wheel Ø 310		Tire wheel Ø 330	
	Wheel code	Wheel bracket code	Wheel code	Wheel bracket code	Wheel code	Wheel bracket code
PRM 120 FMRD 120	SRM071D	PRM063VD	SRM116D	PRM075VD	SRM115D	PRM075VD
PRM 135 FMRD 135	SRM071D	PRM066VD	SRM116D	PRM078VD	SRM115D	PRM078VD
PRM 150 FMRD 150	SRM071D	PRM065VD	SRM116D	PRM076VD	SRM115D	PRM076VD
PRM 180 FMRD 180	SRM071D	PRM064VD	SRM116D	PRM077VD	SRM115D	PRM077VD
PRM 215	SRM071D	PRM064VD	SRM116D	PRM077VD	SRM115D	PRM077VD
Standard	X					
Option			X			X

NOTE: For wheels spare parts see page 25.

PRM-FMRD-SRM-FM TRANSMISSION

